

TARZ27

Nimrof Electronic Fault Locator
Datasheet

General Description

Electronic Diagnostic Device is an electronic measuring device that creates the impedance curves of the components on the electronic board on screen without energizing the device to be tested. It works by applying a current limited AC signal through a serial resistor and displays voltage and current graphics in computer software. Each component has a unique impedance curve and when this impedance curve is broken, the component does not work.

- Fast signal processing with ARM architecture processor
- It provides to find faulty component on the electronic board in a short time by using power-off test method
- TARZ27 allows more than 10 various voltage combinations
- Analyzing the signature can quickly determine whether the component is good, bad or marginal
- Dont need the device circuit diagram for faulty the electronic boards for repairing.
- Voltage and frequency ranges can be selected manually or from computer software
- With the "Scan" button, voltage levels can be changed automatically in a loop
- With the trigger output, switched semiconductors can be easily tested without removing them from the electronic circuit board.



Typical Application

- Manufacture
- Repairing
- Component quality test
- Education

PC Software Features

The features of the computer software are listed below;

- Software is available in 4 languages (English, Turkish, German and Russian)
- All controls of the device can be provided via pc software
- You can save your working electronic cards to the computer software in a short time with a picture.
- You can repair easily faulty electronic boards with good electronic boards you have saved to pc software
- You can transfer the printed circuit of the circuit you have designed in Proteus electronic circuit design program and pins and materials you want to test to Nimrof software in a short time.

Technical Specifications

The technical specifications of the TARZ27 devices are listed in figure 1

Nominal Ratings	Units	TARZ27
Operating Voltage (AC)	V	90 ~ 264VAC
AC Current	A	1.5A/115VAC 0.9A/230VAC
Frequency Range	Hz	50-60Hz
Device Features		Typ.
Voltage Ranges	V	10,15,20,50V
Frequency Range	Hz	90,200,500,1000Hz
Screen	-	-
Device Control	-	PC Software or Front panel
PC Connection	-	USB 2.0
Scan Mode	-	Automatic or Manual
Measurement Channels		A,B,COM and G
Weight	kg	3,650kg
Device Dimensions	mm	350x288x115mm
Warranty	-	2 years

Figure 1: Specifications of the TARZ27

TARZ27

Nimrof Electronic Fault Locator
Datasheet

Nimrof

Drawings

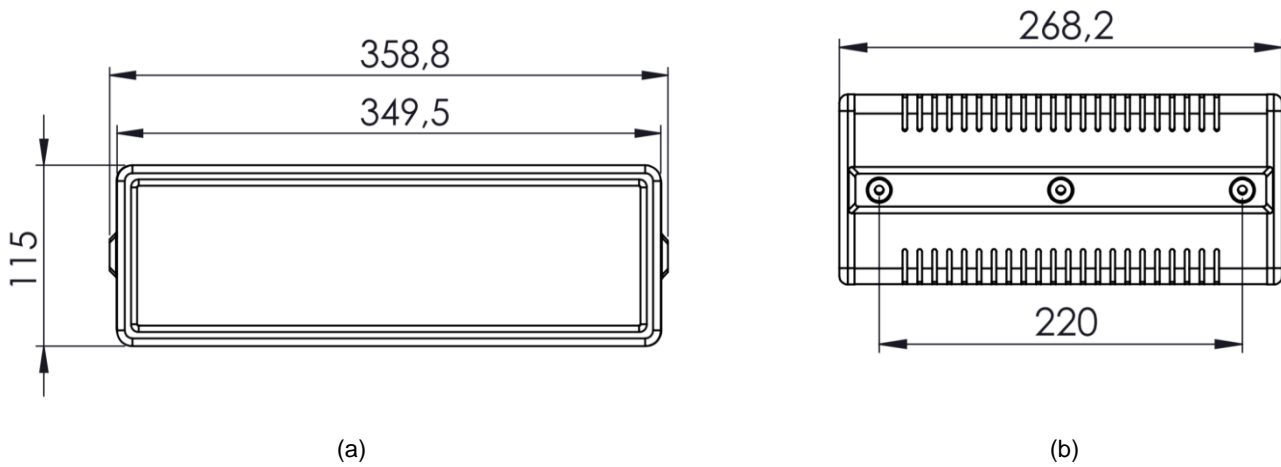


Figure 2: TARZ27 technical drawings

General tolerance is $\pm 0.5\text{mm}$

Cautions

Please follow safety instructions!

- Users should follow the safety and warnings written below.
- The electronic card to be tested must not be energized.
- It should be ensured that the capacitors on the electronic card to be tested are discharged. No measurement should be made without discharge.
- It should never be wiped with a wet cloth.
- ESD wristbands must be worn during testing.
- Do not go beyond the operating conditions written in the technical specifications of the device.
- Do not touch the device with wet hands.
- Clean the device with a dry cloth while the system is not in operation.
- Do not operate above or below the voltage range specified in the technical specifications of the device.

Terms and Conditions

Nimrof are warranted for 2 (two) year starting from the delivery date of the product. The consumables (cables, USB memory or CD .) supplied with the device are not covered by the warranty. All of the goods, including all parts (against defects that may occur due to production and assembly errors and/or defective parts), are within the scope of our company's warranty. In the event that the product fails during the warranty period, due to material and workmanship or assembly errors, it will be repaired without any charge under any other name, such as labor cost, replacement part cost or any other name. The repair undertaken with this guarantee will be made by authorized services of Birrenk Bilgisayar Sistemleri LTD

The Nimrof electronic products are out of warranty in case of user error, uses not in accordance with recommended practice presented in this datasheet, internal circuits are tampered with and/or the cover is removed. Probes, cables CD or USB sticks are out of warranty. In case of malfunction of the device, please send it to Birrenk Bilgisayar Elektronik Ltd Şti or authorized distributor.

TARZ27

Nimrof Electronic Fault Locator
Datasheet

